

# VOLTA- MODEL: ADDT51

WAC ARCHITECTURAL

## 5" Round Narrow Recessed Adjustable Downlight

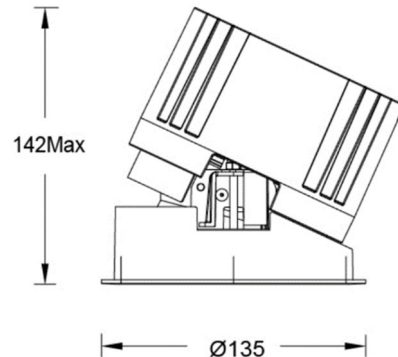
Project Name:

Type:

### Product Image



### Line Drawing



### Product Description

VOLTA II series LED round narrow recessed adjustable downlight, streamlined appearance, with precise lens and black mirror reflector design. It guarantees light output while still achieving the ultimate anti-glare effect, and the light source cavity is sealed to minimize the impact of humid environment on its performance. Free to remove and replace the reflector or optical accessories, greatly improving the convenience of the site. Mainly suitable for hotel and commercial indoor places.

### Product Features

- **Body Material:** Aluminum die-casting lamp body
- **Optical System:** Lens+Reflector
- **Finish:** Electrostatic powder coating
- **Objection Angle:** Vertical 0-25°
- **Accessory / Bracket:** See attachment
- **Certification:** CCC
- **IP Rating:** IP20
- **Insulation Class:** Class II
- **Operating Temperature:** -20°C~40°C

### Product Specifications

- **Cutoff:** Ø125mm
- **Ceiling Thickness:** 1mm~25mm
- **Shading Angle:** 30°
- **LED Type:** COB
- **Source Lm:** 2700K: 18W 2735lm; 25W 3565lm; 32W 4560lm  
3000K: 18W 2880lm; 25W 3750lm; 32W 4800lm  
3500K: 18W 2965lm; 25W 3865lm; 32W 4945lm  
4000K: 18W 3080lm; 25W 4015lm; 32W 5135lm  
5000K: 18W 3170lm; 25W 4125lm; 32W 5280lm
- **LED Lifetime:** >50000h-L70 /B10-Ta25°C(LM-80/TM-21)
- **CCT/CRI:** 2700K/3000K/3500K/4000K/5000K, CRI≥90
- **Input:** 220V AC / 50Hz
- **Dimming:** Non-dimming / 0-10V/DALI (must be done in advance with the project site system to match the test)
- **Net Weight:** Approx. 1.0Kg, without packaging

### Order Model

Model	Size	Trim	LED	Driver	Beam	CCT	Reflector	Finish
ADDT Downlight Directional T series	5 5"	1 Round Trim	LM18 COB 18W	E On-Off D 0-10V Dimming	1 15° 2 24° 3 36° 5 55°	27 2700K	B Black S Specular	WT White BK Black
			LM25 COB 25W			30 3000K		
			LM32 COB 32W	35 3500K				
			LM32 COB 32W	40 4000K				
				N No Driver A DALI		50 5000K		

Example: ADDT51-LM18E230SWT

WAC Lighting  
www.waclighting.com (US)  
www.waclighting.net (International)

Headquarters  
44 Harbor Park Drive • Port Washington, NY  
Phone (516) 515.5000 • Fax (516) 515.5050

WAC GROUP  
TECHNOLOGY ILLUMINATED

**5" Round Narrow Recessed Adjustable Downlight**

**Project Name:**

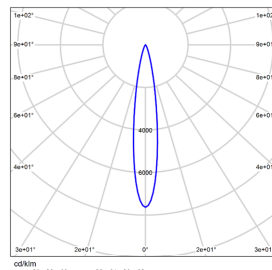
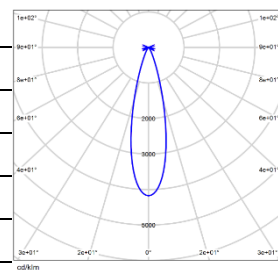
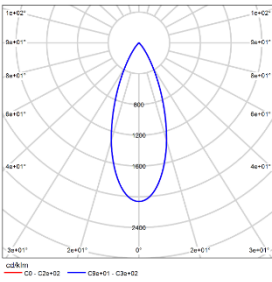
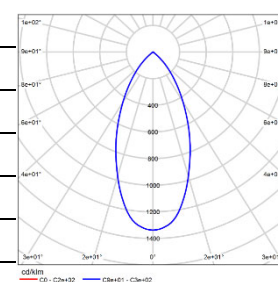
**Type:**

Accessory

<p><b>ALENS-DDT51-BEL</b> Striped Glass Lens</p> 	<p><b>ALENS-DDT51-HCL</b> Rimless Honeycomb Grid</p> 
--	--

Note: Up to one additional optical accessory can be installed, the factory does not come with accessories, need to be ordered separately.

**Light Distribution@3000K Data**

	<p><b>MODEL:</b> ADDT51-LM25E130SWT</p> <p><b>BEAM ANGLE:</b> 15°</p> <p><b>POWER:</b> 25W</p> <p><b>LUMENS:</b> 2939lm</p> <p><b>CBCP:</b> 33037cd</p> <p><b>EFFICACY:</b> 118lm/W</p>		<p><b>MODEL:</b> ADDT51-LM25E230SWT</p> <p><b>BEAM ANGLE:</b> 24°</p> <p><b>POWER:</b> 25W</p> <p><b>LUMENS:</b> 3274lm</p> <p><b>CBCP:</b> 13975cd</p> <p><b>EFFICACY:</b> 131lm/W</p>
	<p><b>MODEL:</b> ADDT51-LM25E330SWT</p> <p><b>BEAM ANGLE:</b> 36°</p> <p><b>POWER:</b> 25W</p> <p><b>LUMENS:</b> 3171lm</p> <p><b>CBCP:</b> 8424cd</p> <p><b>EFFICACY:</b> 127lm/W</p>		<p><b>MODEL:</b> ADDT51-LM25E530SWT</p> <p><b>BEAM ANGLE:</b> 55°</p> <p><b>POWER:</b> 25W</p> <p><b>LUMENS:</b> 2972lm</p> <p><b>CBCP:</b> 3896cd</p> <p><b>EFFICACY:</b> 119lm/W</p>

6" Round Narrow Recessed Adjustable Downlight

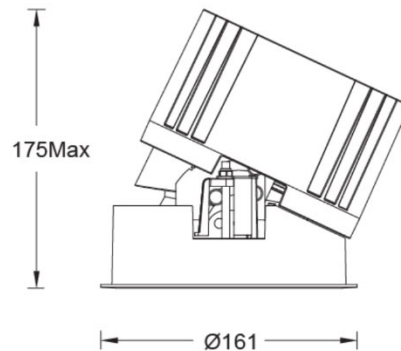
Project Name:

Type:

Product Image



Line Drawing



**Product Description**

VOLTA II series LED round narrow recessed adjustable downlight, streamlined appearance, with precise lens and black mirror reflector design. It guarantees light output while still achieving the ultimate anti-glare effect, and the light source cavity is sealed to minimize the impact of humid environment on its performance. Free to remove and replace the reflector or optical accessories, greatly improving the convenience of the site. Mainly suitable for hotel and commercial indoor places.

**Product Features**

- **Body Material:** Aluminum die-casting lamp body
- **Optical System:** Lens+Reflector
- **Finish:** Electrostatic powder coating
- **Objection Angle:** Vertical 0-25°
- **Accessory / Bracket:** See attachment
- **Certification:** CCC
- **IP Rating:** IP20
- **Insulation Class:** Class II
- **Operating Temperature:** -20°C~40°C

**Product Specifications**

- **Cutoff:** Ø150mm
- **Ceiling Thickness:** 1mm~30mm
- **Shading Angle:** 30°
- **LED Type:** COB
- **Source Lm:** 2700K: 32W 4560lm; 43W 6125lm  
3000K: 32W 4800lm; 43W 6450lm  
3500K: 32W 4945lm; 43W 6640lm  
4000K: 32W 5135lm; 43W 6900lm  
5000K: 32W 5280lm; 43W 7095lm
- **LED Lifetime:** >50000h-L70 /B10-Ta25°C(LM-80/TM-21)
- **CCT/CRI:** 2700K/3000K/3500K/4000K/5000K, CRI≥90
- **Input:** 220V AC / 50Hz
- **Dimming:** No dimming / 0-10V/DALI (must do match test with project site system in advance) .
- **Net Weight:** Approx. 1.7Kg, without packaging

**Order Model**

Model	Size	Trim	LED	Driver	Beam	CCT	Reflector	Finish
ADDT Downlight Directional T series	6 6"	1 Round Trim	LM32 COB 32W	E On-Off	1 15°	27 2700K	B Black	WT White
			LM43 COB 43W	D 0-10V Dimming	2 24°	30 3000K	S Specular	BK Black
					3 36°	35 3500K		
					5 50°	40 4000K		
			LM43 COB 43W	N No Driver A DALI		50 5000K		

Example: ADDT61-LM25E230SWT

**6" Round Narrow Recessed Adjustable Downlight**

**Project Name:**

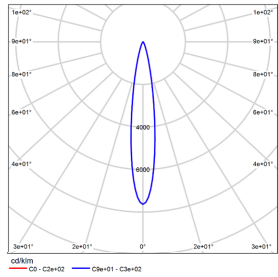
**Type:**

Accessory

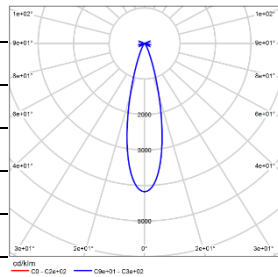
<b>ALENS-DDT61-BEL</b> Striped Glass Lens		<b>ALENS-DDT61-HCL</b> Rimless Honeycomb Grid	
--	---	--	---

Note: Up to one additional optical accessory can be installed, the factory does not come with accessories, need to be ordered separately.

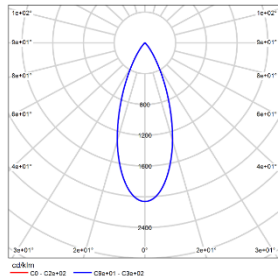
**Light Distribution@3000K Data**



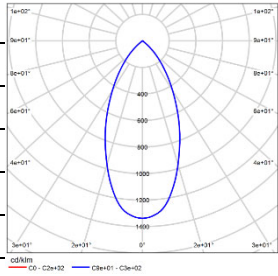
**MODEL:** ADDT61-LM32E130SWT  
**BEAM ANGLE:** 15°  
**POWER:** 32W  
**LUMENS:** 4134lm  
**CBCP:** 31745cd  
**EFFICACY:** 129lm/W



**MODEL:** ADDT61-LM32E230SWT  
**BEAM ANGLE:** 24°  
**POWER:** 32W  
**LUMENS:** 4285lm  
**CBCP:** 20093cd  
**EFFICACY:** 134lm/W



**MODEL:** ADDT61-LM32E330SWT  
**BEAM ANGLE:** 36°  
**POWER:** 32W  
**LUMENS:** 4236lm  
**CBCP:** 10389cd  
**EFFICACY:** 132lm/W



**MODEL:** ADDT61-LM32E530SWT  
**BEAM ANGLE:** 55°  
**POWER:** 32W  
**LUMENS:** 4027lm  
**CBCP:** 5047cd  
**EFFICACY:** 126lm/W